

Honeywell

See full Datasheet below...

onlinecomponents.com
THE ONLINE DISTRIBUTOR OF ELECTRONIC COMPONENTS

BUY NOW

 **MASTER**TM
E L E C T R O N I C S

BUY NOW

masterelectronics.com & onlinecomponents.com
are **authorized** e-commerce distributors
of electronic components.

SWITCH - TOGGLE

1TL1 SERIES CHART 1

CATALOG LISTING

THIS DRAWING COVERS A PROPRIETARY ITEM AND IS THE PROPERTY OF MICRO SWITCH, A DIVISION OF HONEYWELL. THIS DRAWING IS NOT TO BE COPIED OR USED WITHOUT THE APPROVAL OF MICRO SWITCH

CATALOG LISTING
1TL1 SERIES CHART 1

PAGE 1 OF 1

REPLACES

RELEASE NO.

CHECK

ISSUE
23

REVISIONS

A CO-94429
S A V
24 NOV 99

CHECK

24 NOV 99

JAF

CHECK

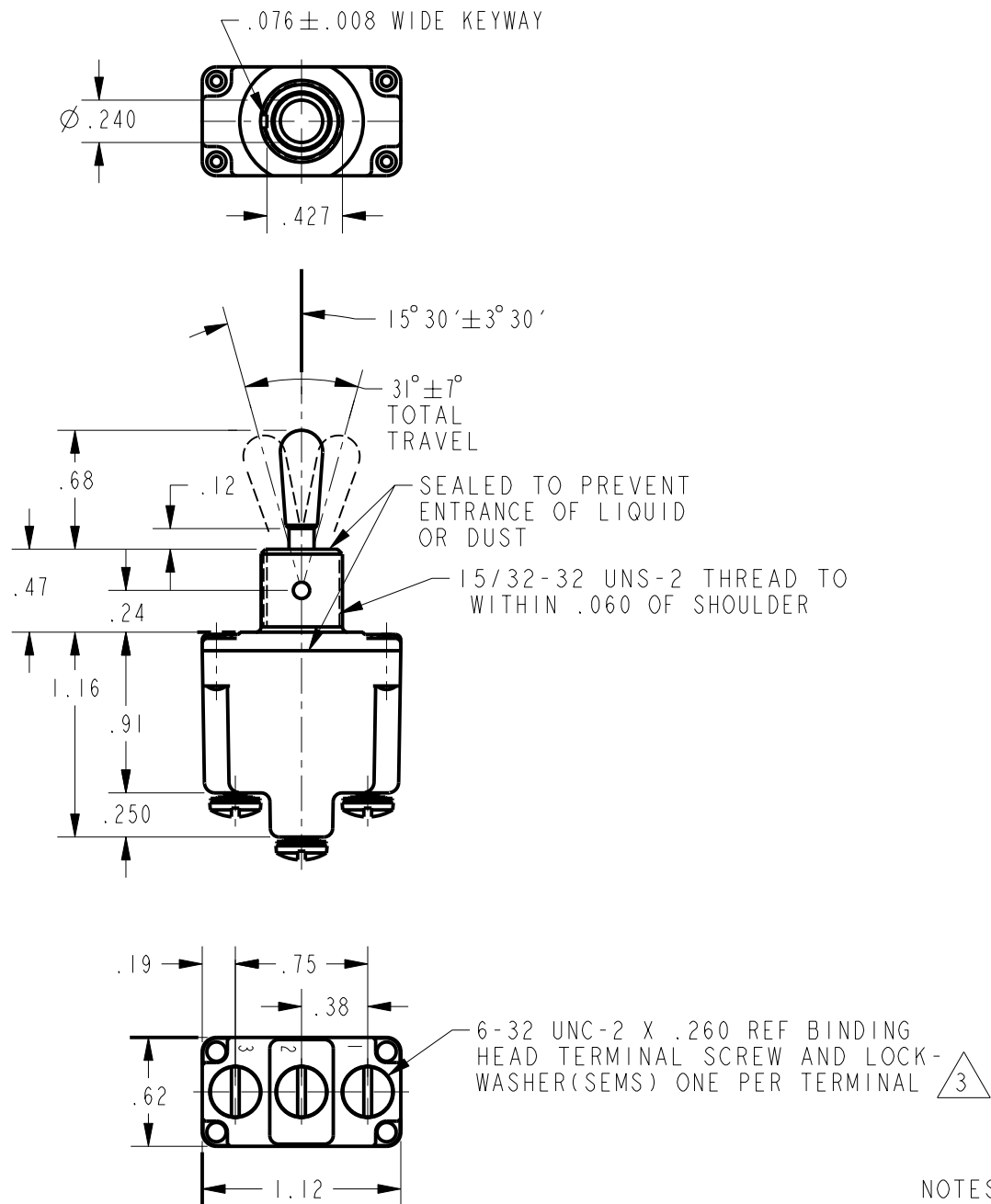
24 NOV 99

PTC/CAD 2D

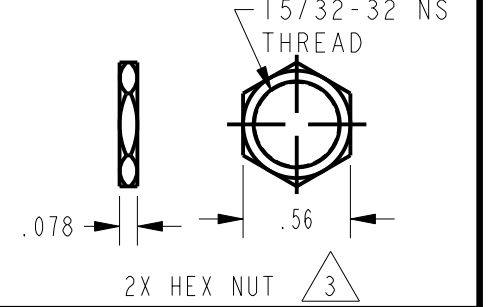
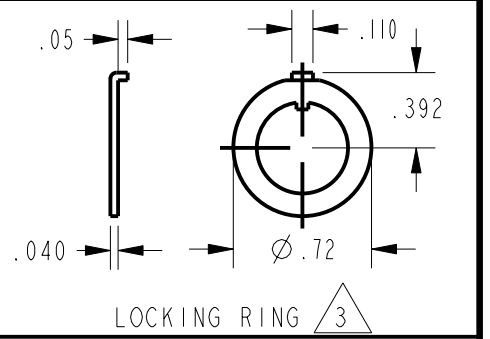
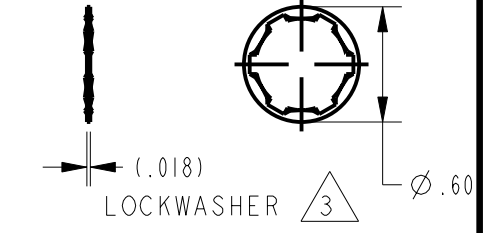
DRAWN

S A V 24 NOV 99

ANSI Y14.5M-1982 APPLIES



| CATALOG LISTING | CIRCUIT MADE WITH TOGGLE LEVER IN | | | MILITARY STANDARD NUMBER | MILITARY RATING (AMPS) | | | | | | | | |
|-----------------|-----------------------------------|--------------|-----------------------|--------------------------|-------------------------------|----------|--------|-----|-----------|-----|----------------|----|-----|
| | KEYWAY SIDE (1-2) | CENTER (1-2) | OPPOSITE KEYWAY (2-3) | | RESISTIVE LOAD | | | | LAMP LOAD | | INDUCTIVE LOAD | | |
| | | | | | DC VOLTS | AC VOLTS | DC VDC | VAC | VDC | VAC | | | |
| ITLI-1 | ON | OFF | ON | MS24523-21 | 28 | 125 | 250 | 125 | 250 | 28 | 125 | 28 | 125 |
| ITLI-2 | OFF | NONE | ON | MS24523-22 | 20 | .75 | .5 | 15 | 6 | 5 | 3 | 15 | 10 |
| ITLI-3 | ON | NONE | ON | MS24523-23 | (REFER TO L191 FOR UL RATING) | | | | | | | | |
| ITLI-21 | NONE | OFF | ON | MS24523-24 | | | | | | | | | |
| ITLI-31 | NONE | ON | ON | MS24523-33 | | | | | | | | | |
| ITLI-4 | MOM OFF | NONE | ON | MS24523-29 | | | | | | | | | |
| ITLI-5 | MOM ON | OFF | ON | MS24523-31 | | | | | | | | | |
| ITLI-6 | MOM ON | NONE | OFF | MS24523-30 | 15 | .75 | .5 | 15 | 6 | 4 | 2 | 10 | 7 |
| ITLI-7 | MOM ON | OFF | MOM ON | MS24523-27 | (REFER TO L192 FOR UL RATING) | | | | | | | | |
| ITLI-8 | MOM ON | NONE | ON | MS24523-26 | | | | | | | | | |
| ITLI-51 | NONE | ON | MOM ON | MS24523-32 | | | | | | | | | |
| ITLI-61 | MOM ON | OFF | NONE | MS24523-28 | | | | | | | | | |



- NOTES
- SWITCHES ARE CAPABLE OF WITHSTANDING A TEMPERATURE OF 160° F CONTINUOUSLY AT FULL RATED LOAD
 - CIRCUIT DESIGNATION, MICRO SWITCH CATALOG LISTING AND "MS" NUMBER MARKED ON SIDE OF SWITCH
 - FURNISHED UNASSEMBLED
 - FOR TERMINAL COVER, SEE MICRO SWITCH CATALOG LISTING 5PA7
 - APPLIES ONLY TO "ON" AND "MOMENTARY ON" POSITIONS
 - THESE SWITCHES ARE QUALIFIED UNDER MIL-S-3950

15A-125, 250 OR 277 VAC
1/2 HP-125VAC: 1 HP-250, 277 VAC
5A-125VAC "L" CODE L191

10A-125, 250, 277 VAC
1/4 HP-125VAC: 1/2 HP-250, 277 VAC
3A-125VAC "L" CODE L192

THIRD ANGLE PROJECTION

SCALE FULL

DO NOT SCALE PRINT

UNLESS OTHERWISE SPECIFIED TOLERANCES ARE

ONE PLACE (.0) ±.030
TWO PLACE (.00) ±.015
THREE PLACE (.000) ±.005
ANGLES ±

WEIGHT .07 LBS APPROX